

Ceiling Speaker

www.dsppatech.com



AUX166A
AUX166B
AUX166C



User Manual

- Useful for the black and white



Guangzhou DSPPA Audio Co., Ltd.
Address: No.1 Xiahe Road, Jianggao Town, Baiyun District, Guangzhou, China
Post Code: 510450
Tel: +86-20-37166520
Website: www.dsppatech.com

Introduction

Thank you for choosing our products. All products have been rigorously tested before leaving the factory, abide by the quality of commitment. This product is widely used in schools, gymnasiums, square venues, parks, parking lots, railway stations, airports, villas, shopping malls and other places, is the ideal choice for public broadcasting.

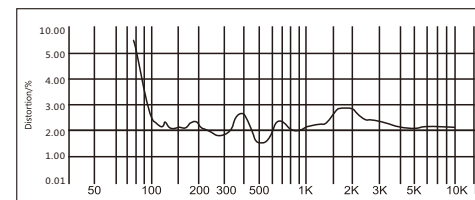
In order to facilitate your installation, commissioning and use of this product, please read this manual before installation.

Product Overview

Product Characteristics

- Suitable for public address and background music.
- Sound clear and sonorous.
- Made of high quality paper cone with moistureproof treatment, sound performance and high sensitivity.
- Simple and beautiful appearance with circular hole diffusion cover, integrating itself into different indoors.
- High quality engineering plastic, long-term durability and reliability.
- Various installation methods for convenience.

Distortion
(THD<5% 1W, 1m, 100Hz-10kHz)



Specification

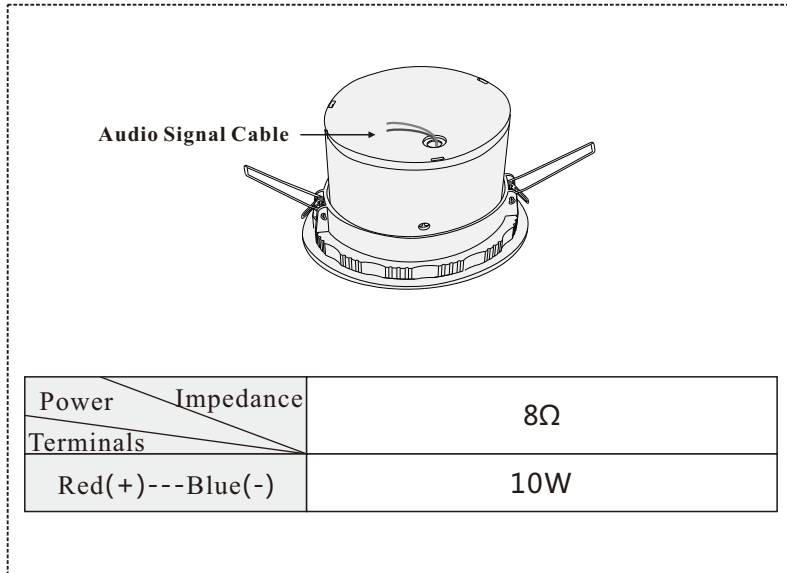
Item	Specification
Unit Drive	3" × 1
Rated Power (RMS)	10W
Impedance	8Ω
Sensitivity (1m,1W)	85dB±2dB
MAX. SPL (1m)	95dB±2dB
Freq. Resp.	130Hz~20kHz
Dimension (H×W×D)	∅136×115mm
Weight	0.8kg

Packing List

Item	Qty
Ceiling Speaker	1
User Manual	1

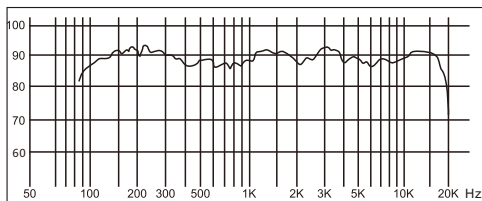
Connection

① Select the right connection based on the colors of terminals.



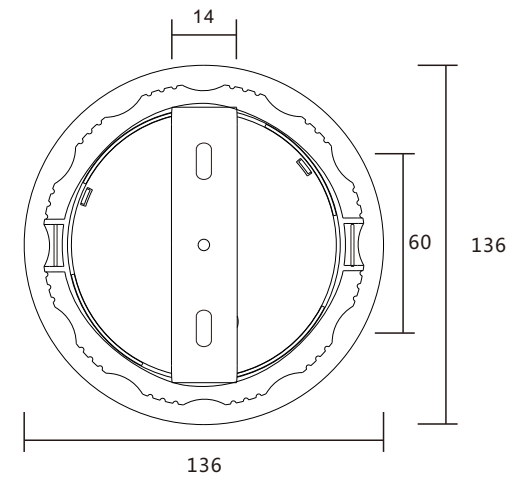
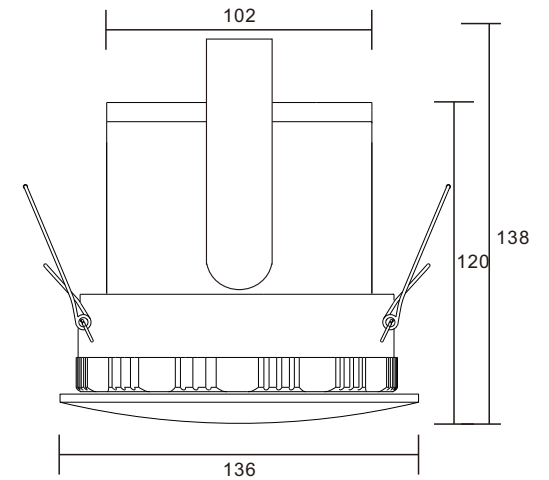
Technical Parameters

Freq. Resp.
(dB SPL, 1W, 1m)



Product Information

Speaker with accessories



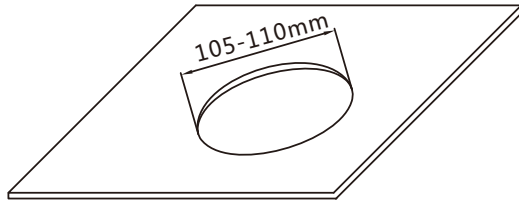
Unit: mm

Installation and Connection

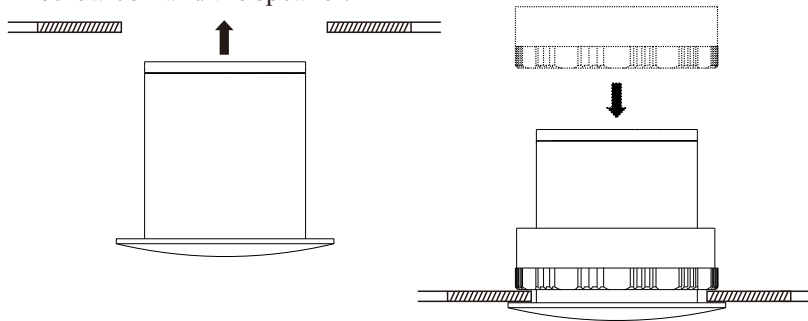
The manual provides three installation methods. Please choose the following based on the product model.

Method 1 (Screw coil installation, suitable for AUX166A)

- ① Cut a 105-110mm installation hole on the ceiling (as shown below).

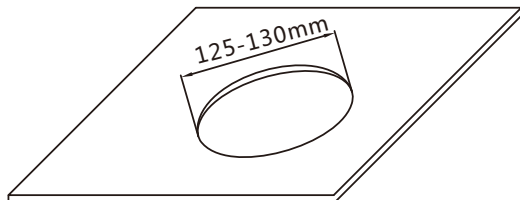


- ② Remove the screw coil, put the speaker into the ceiling, and tighten the screw coil and the speaker.

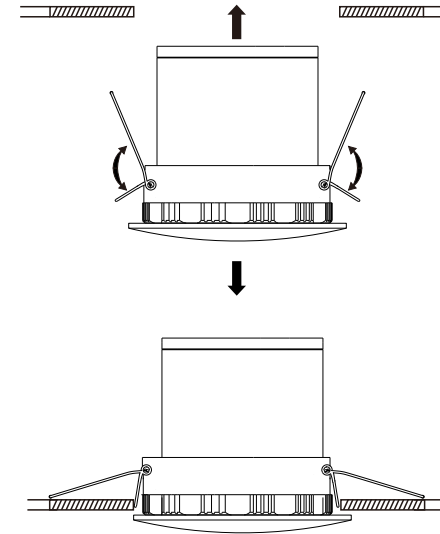


Method 2 (Clamps installation, suitable for AUX166B)

- ① Cut a 125-130mm installation hole on the ceiling (as shown below).

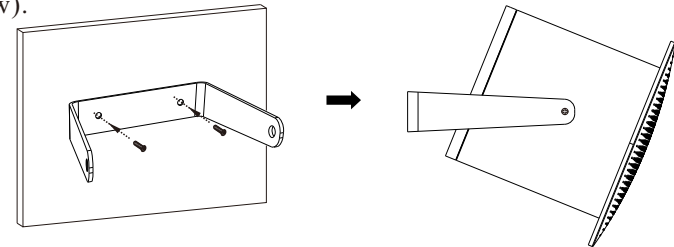


- ③ Turn up the clamps of the speaker and insert them into the installation hole on ceiling and then release them as shown below. Put on your gloves for safe is recommended.



Method 3 (Hanger installation, suitable for AUX166C)

- ① Install the hanger on the wall in an appropriate position, fix the speaker on the hanger with two screws, and adjust it to an appropriate angle (as shown below).



- ② Finally, examine whether it is steady.